



1415 Countertop Electric Deck Oven



- OPTIONS AND ACCESSORIES**
(AT ADDITIONAL CHARGE)
- Stacking kit
 - 4" legs with adjustable sanitary feet

Project _____

Item No. _____

Quantity _____

Ovens consist of basic sections and are a complete and separate unit capable of operating alone or in combination.

All data is shown per oven section, unless otherwise indicated.

Refer to operator manual specification chart for listed model name.

EXTERIOR CONSTRUCTION

- Stainless steel front, top and sides
- Aluminized steel back and bottom
- Drop down type doors
- 1" high-temperature mineral fiber sheet insulation on top, back, sides and bottom

INTERIOR CONSTRUCTION

- 20" x 20" x 9" (508mm x 508mm x 229mm) oven compartment interior
- Aluminized steel baking compartment liner
- Cordierite oven deck
- No. 16 gauge aluminized steel heater shelf assemblies

OPERATION

- 3 tubular type heaters (208 or 240 VAC) 3750 total watts
- Thermostat actuated contactor heater control
- Solid state digital display control with temperature range of 150° to 500°F (66° to 260°C) and a maximum 12 hour timer with audible alarm.

STANDARD FEATURES

- Fahrenheit dial 200° to 500°F
- Two year parts and one year labor warranty
- Five year limited oven door warranty*

* For all international markets, contact your local distributor.

1415 COUNTERTOP DECK



BLODGETT OVEN COMPANY

www.blodgett.com

44 Lakeside Avenue, Burlington, VT 05401 • Phone: (802) 658-6600 • Fax: (802) 864-0183

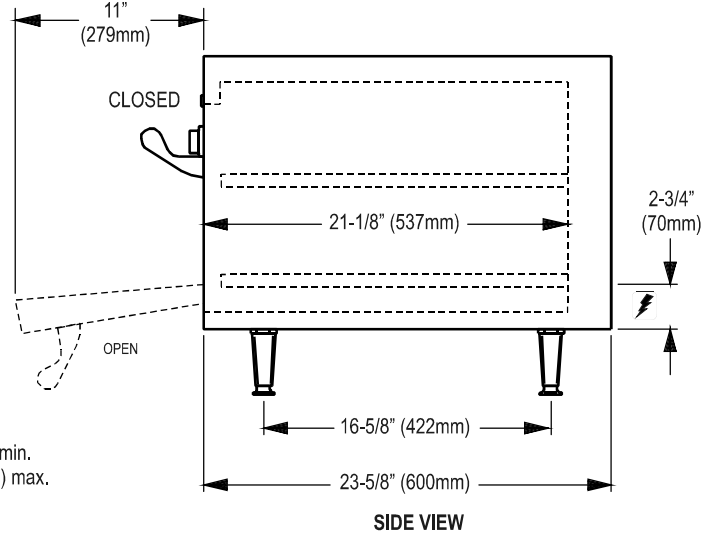
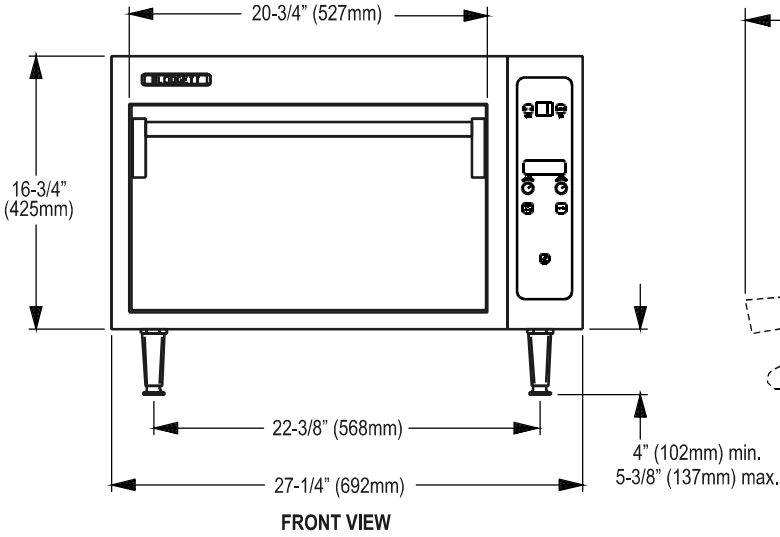
Suburban Bowery



MODEL 1415



APPROVAL/STAMP



DIMENSIONS:	Single	Double
Number of sections:	1	2
Number of controls:	1	2
Number of compartments:	1	2
Size of compartments:	20" x 20" x 9" (508mm x 508mm x 229mm)	
Clearance below oven:	4" (102mm) minimum	
Counter space:	27-3/8" x 23-11/16" (695mm x 602mm)	
Minimum entry clearance:	23" (548mm)	

POWER SUPPLY:

- 1400 Series (three heaters)
- 208 VAC, 60 Hz, 1 Phase, 3750 Watts, Line Amps 18
- 208 VAC, 60 Hz, 3 Phase, 3750 Watts, Line Amps 10-10-10
- 220-240 VAC, 60 Hz, 1 Phase, 3750 Watts, Line Amps 16
- 220-240 VAC, 60 Hz, 3 Phase, 3750 Watts, Line Amps 9-9-9

MINIMUM ENTRY CLEARANCE:

Uncrated	17"
Crated	26"

SHIPPING INFORMATION:

Approx. Weight:	
Single:	215 lbs. (98 kg)
Double:	430 lbs. (195 kg)
Crate size:	
33" x 37" x 26"	
(838 mm x 940 mm x 661 mm)	

NOTE: The company reserves the right to make substitutions of components without prior notice

BLODGETT OVEN COMPANY

www.blodgett.com

44 Lakeside Avenue, Burlington, VT 05401 • Phone: (802) 658-6600 • Fax: (802) 864-0183