



STAINLESS STEEL  
**REGALINE SINKS**  
 One Compartment - One Drainboard

(Specify Drainboard Location)



"940" Series shown

**Item #:** \_\_\_\_\_ **Qty #:** \_\_\_\_\_  
**Model #:** \_\_\_\_\_  
**Project #:** \_\_\_\_\_

**FEATURES:**

Tile edge for ease of installation.  
 One piece **Deep Drawn** sink bowls with integral drainboards with splash.  
 Featuring the single bowl unit design.  
 All sink bowls have a large liberal 3" radius.  
 Placement of the welded leg assembly ensures stability and furnishes direct support of the column load requirement for the entire sink unit.

"940" series is supplied with front and rear cross brace.

**CONSTRUCTION:**

All TIG welded.  
 Welded areas blended to match adjacent surfaces and to a satin finish.  
 Gussets welded to a die-embossed reinforcing channel.

**Spec-Line:** 940 Series - 11" High Splash.  
**Standard:** 930 Series - 8" Splash.  
**Super Saver:** 900 Series - 8" Splash.

**MATERIAL:**

**940 Series:** 14 gauge type 304 stainless steel.  
**930 Series:** 16 gauge type 304 stainless steel.  
**900 Series:** 18 gauge type 304 stainless steel.

- LEGS:**
- 1 5/8" diameter tubular stainless steel.
  - Stainless steel gussets & channels.
  - Stainless Steel 1" adjustable bullet feet.

**YES! It's SeaLess!**

BOWL SIZE	O.A. LENGTH (inches) (mm)	DRBD. SIZE (inches) (mm)	SPEC-LINE 940 Series		STANDARD 930 Series		SUPER SAVER 900 Series		Cubic Feet		
			14 Ga. 304 S/S 14" Water Level		16 Ga. 304 S/S 12" Water Level		18 Ga. 304 S/S 12" Water Level				
			MODEL #	Approx. Wt. (lbs.)	MODEL #	Approx. Wt. (lbs.)	MODEL #	Approx. Wt. (lbs.)			
<b>16 x 20</b> (406 x 508)	40"	1016	18"	457	94-1-24-18R or L	93	93-1-24-18R or L	75	9-1-24-18R or L	65	20
	46"	1168	24"	610	94-1-24-24R or L	98	93-1-24-24R or L	80	9-1-24-24R or L	73	24
	58"	1473	*36"	914	94-1-24-36R or L	114	93-1-24-36R or L	90	9-1-24-36R or L	78	26
<b>20 x 20</b> (508 x 508)	44"	1066	18"	457	94-21-20-18R or L	98	93-21-20-18R or L	80	9-21-20-18R or L	71	20
	50"	1270	24"	610	94-21-20-24R or L	104	93-21-20-24R or L	86	9-21-20-24R or L	77	23
	62"	1575	*36"	914	94-21-20-36R or L	127	93-21-20-36R or L	107	9-21-20-36R or L	91	31
<b>18 x 24</b> (457 x 610)	42"	1051	18"	457	94-61-18-18R or L	100	93-61-18-18R or L	84	9-61-18-18R or L	75	24
	48"	1203	24"	610	94-61-18-24R or L	106	93-61-18-24R or L	92	9-61-18-24R or L	84	27
	60"	1508	*36"	914	94-61-18-36R or L	130	93-61-18-36R or L	109	9-61-18-36R or L	95	38
<b>24 x 24</b> (610 x 610)	54"	1372	24"	610	94-41-24-24R or L	126	93-41-24-24R or L	105	9-41-24-24R or L	92	28
	66"	1676	*36"	914	94-41-24-36R or L	149	93-41-24-36R or L	126	9-41-24-36R or L	110	42
<b>20 x 28</b> (508 x 711)	44"	1066	18"	457	94-81-20-18R or L	139	93-81-20-18R or L	116	9-81-20-18R or L	107	36
	50"	1270	24"	610	94-81-20-24R or L	146	93-81-20-24R or L	122	9-81-20-24R or L	113	46
	62"	1575	*36"	914	94-81-20-36R or L	170	93-81-20-36R or L	142	9-81-20-36R or L	133	54
* Regalines with 36" Drainboards are Supplied with Two Sets of Legs for Support.					14" Water Level 17" Flood Level		12" Water Level 15" Flood Level		12" Water Level 15" Flood Level		



Customer Service Available To Assist You **1-800-645-3166** 8:30 am - 8:00 pm E.S.T.

Email Orders To: customer@advancetabco.com. For Smart Fabrication™ Quotes, Email To: smartfab@advancetabco.com or Fax To: 631-586-2933

**NEW YORK**  
 Fax: (631) 242-6900

**GEORGIA**  
 Fax: (770) 775-5625

**TEXAS**  
 Fax: (972) 932-4795

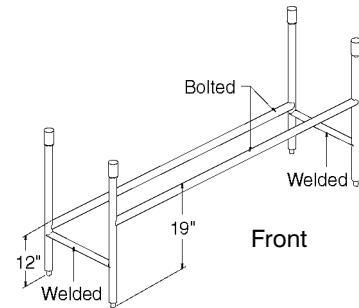
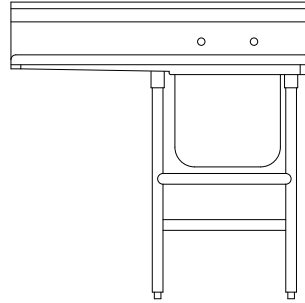
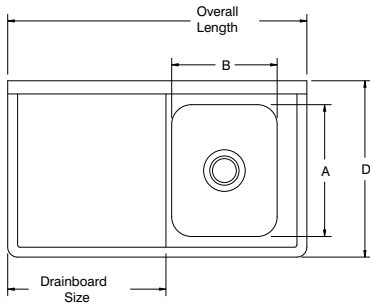
**NEVADA**  
 Fax: (775) 972-1578

# DIMENSIONS and SPECIFICATIONS

TOL Overall: ± .500"  
Interior: ± .250"

ALL DIMENSIONS ARE TYPICAL

(SPECIFY DRAINBOARD LOCATION)



(Left hand Drainboard Shown)

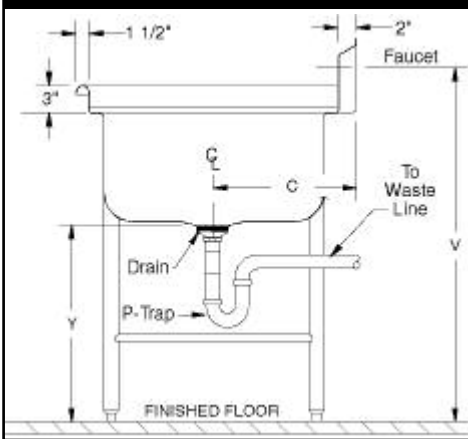
940 Series Cross Bracing

## DESCRIPTION

BOWL (SIZE)	Overall Length	DRBD (SIZE)	Recommended Use					940 SERIES					900 & 930 SERIES				
				A	B	C	D	V	W	X	Y	Z	V	W	X	Y	Z
16x20	40"	18"	DISH SINKS	20"	16"	13 5/8"	27"	38"	11"	14"	20"	45"	38"	8"	12"	22"	42"
	46"	24"															
	58"	*36"															
20x20	44"	18"	DISH & POT SINKS	20"	20"	13 5/8"	27"	38"	11"	14"	20"	45"	38"	8"	12"	22"	42"
	50"	24"															
	62"	*36"															
18x24	42"	18"	POT & PAN SINKS	24"	18"	15 5/8"	31"	38"	11"	14"	20"	45"	38"	8"	12"	22"	42"
	48"	24"															
	60"	*36"															
24x24	54"	24"	POT SINKS	24"	24"	15 5/8"	31"	38"	11"	14"	20"	45"	38"	8"	12"	22"	42"
	66"	*36"															
20x28	44"	18"	PAN SINKS	28"	20"	17 5/8"	35"	38"	11"	14"	20"	45"	38"	8"	12"	22"	42"
	50"	24"															
	62"	*36"															

\* Regalines with 36" Drainboards are Supplied with Two Sets of Legs for Support.

## PLUMBING ROUGH-IN



## MECHANICAL:

- Supply is 1/2" IPS hot & cold.
- Faucet holes on 8" centers.
- Faucets are not included (**see accessories**).
- Waste drains are 1 1/2" IPS S/S basket type, located in center of sink bowl, and are included.



## SECTION

