



STAINLESS STEEL
REGALINE SINKS
 Two Compartment - Two Drainboards



Item #: _____ Qty #: _____
 Model #: _____
 Project #: _____

FEATURES:

Tile edge for ease of installation.
 One piece **Deep Drawn** sink bowls with integral drainboards with splash.
 Featuring the single bowl unit design.
 All sink bowls have a large liberal 3" radius.
 Placement of the welded leg assembly ensures stability and furnishes direct support of the column load requirement for the entire sink unit.

"940" series is supplied with front and rear cross brace.

CONSTRUCTION:

All TIG welded.
 Welded areas blended to match adjacent surfaces and to a satin finish.
 Gussets welded to a die-embossed reinforcing channel.

Spec-Line: 940 Series - 11" High Splash.
Standard: 930 Series - 8" Splash.
Super Saver: 900 Series - 8" Splash.

MATERIAL:

940 Series: 14 gauge type 304 stainless steel.
930 Series: 16 gauge type 304 stainless steel.
900 Series: 18 gauge type 304 stainless steel.

- LEGS:**
- 1 5/8" diameter tubular stainless steel.
 - Stainless steel gussets & channels.
 - Stainless Steel 1" adjustable bullet feet.

YES! It's SeaLess!

BOWL SIZE	O.A. LENGTH (inches) (mm)		DRBD. SIZE (inches) (mm)		SPEC-LINE 940 Series		STANDARD 930 Series		SUPER SAVER 900 Series		Cubic Feet
					14 Ga. 304 S/S 14" Water Level		16 Ga. 304 S/S 12" Water Level		18 Ga. 304 S/S 12" Water Level		
					MODEL #	Approx. Wt. (lbs.)	MODEL #	Approx. Wt. (lbs.)	MODEL #	Approx. Wt. (lbs.)	
16 x 20 (406 x 508)	72"	1854	18"	457	94-2-36-18RL	141	93-2-36-18RL	118	9-2-36-18RL	100	40
	85"	2159	24"	610	94-2-36-24RL	156	93-2-36-24RL	130	9-2-36-24RL	110	46
	109"	2769	*36"	914	94-2-36-36RL	212	93-2-36-36RL	169	9-2-36-36RL	144	58
20 x 20 (508 x 508)	81"	2057	18"	457	94-22-40-18RL	176	93-22-40-18RL	147	9-22-40-18RL	125	44
	93"	2362	24"	610	94-22-40-24RL	220	93-22-40-24RL	184	9-22-40-24RL	162	50
	117"	2975	*36"	914	94-22-40-36RL	273	93-22-40-36RL	237	9-22-40-36RL	215	72
18 x 24 (457 x 610)	77"	1937	18"	457	94-62-36-18RL	247	93-62-36-18RL	206	9-62-36-18RL	181	50
	89"	2242	24"	610	94-62-36-24RL	277	93-62-36-24RL	241	9-62-36-24RL	226	58
	113"	2877	*36"	914	94-62-36-36RL	341	93-62-36-36RL	297	9-62-36-36RL	271	96
24 x 24 (610 x 610)	101"	2565	24"	610	94-42-48-24RL	339	93-42-48-24RL	295	9-42-48-24RL	259	65
	125"	3175	*36"	914	94-42-48-36RL	391	93-42-48-36RL	339	9-42-48-36RL	314	96
20 x 28 (508 x 711)	81"	2057	18"	457	94-82-40-18RL	251	93-82-40-18RL	219	9-82-40-18RL	194	64
	93"	2362	24"	610	94-82-40-24RL	294	93-82-40-24RL	253	9-82-40-24RL	228	73
	117"	2972	*36"	914	94-82-40-36RL	333	93-82-40-36RL	287	9-82-40-36RL	261	96
* Regalines with 36" Drainboards are Supplied with Two Sets of Legs for Support.					14" Water Level 17" Flood Level		12" Water Level 15" Flood Level		12" Water Level 15" Flood Level		



Customer Service Available To Assist You **1-800-645-3166** 8:30 am - 8:00 pm E.S.T.
 Email Orders To: customer@advancetabco.com. For Smart Fabrication™ Quotes, Email To: smartfab@advancetabco.com or Fax To: 631-586-2933

NEW YORK
 Fax: (631) 242-6900

GEORGIA
 Fax: (770) 775-5625

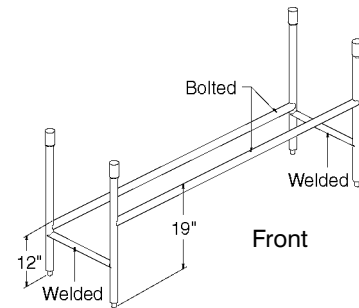
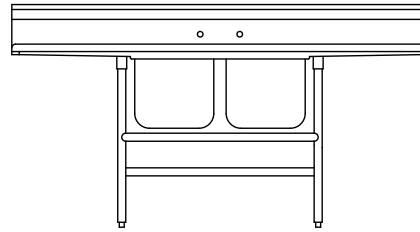
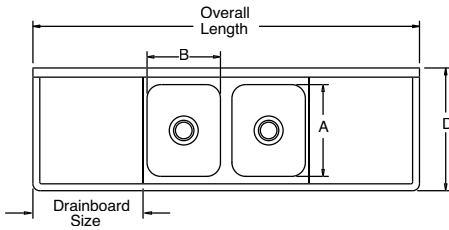
TEXAS
 Fax: (972) 932-4795

NEVADA
 Fax: (775) 972-1578

DIMENSIONS and SPECIFICATIONS

TOL Overall: ± .500"
Interior: ± .250"

ALL DIMENSIONS ARE TYPICAL

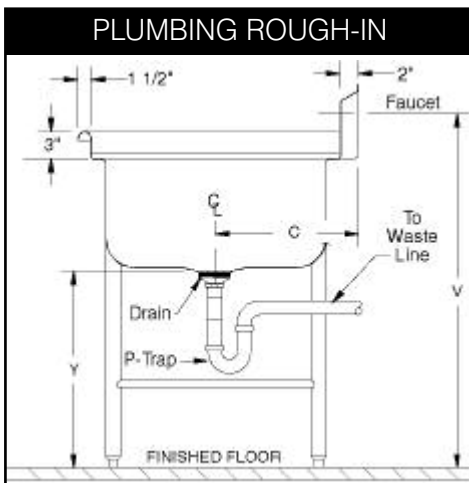


940 Series Cross Bracing

DESCRIPTION

BOWL (SIZE)	Overall Length	DRBD (SIZE)	Recommended Use	940 SERIES					900 & 930 SERIES								
				A	B	C	D	V	W	X	Y	Z	V	W	X	Y	Z
16x20	73"	18"	DISH SINKS	20"	16"	13 5/8"	27"	38"	11"	14"	20"	45"	38"	8"	12"	22"	42"
	85"	24"															
	109"	*36"															
20x20	81"	18"	DISH & POT SINKS	20"	20"	13 5/8"	27"	38"	11"	14"	20"	45"	38"	8"	12"	22"	42"
	93"	24"															
	117"	*36"															
18x24	77"	18"	POT & PAN SINKS	24"	18"	15 5/8"	31"	38"	11"	14"	20"	45"	38"	8"	12"	22"	42"
	89"	24"															
	113"	*36"															
24x24	101"	24"	POT SINKS	24"	24"	15 5/8"	31"	38"	11"	14"	20"	45"	38"	8"	12"	22"	42"
	125"	*36"															
20x28	81"	18"	PAN SINKS	28"	20"	17 5/8"	35"	38"	11"	14"	20"	45"	38"	8"	12"	22"	42"
	93"	24"															
	117"	*36"															

* Regalines with 36" Drainboards are Supplied with Two Sets of Legs for Support.



MECHANICAL:

- Supply is 1/2" IPS hot & cold.
- Faucet holes on 8" centers.
- Faucets are not included (**see accessories**).
- Waste drains are 1 1/2" IPS S/S basket type, located in center of sink bowl, and are included.

