



STAINLESS STEEL  
**REGALINE SINKS**  
 Three Compartments - One Drainboard

(Specify Drainboard Location)



Item #: \_\_\_\_\_ Qty #: \_\_\_\_\_

Model #: \_\_\_\_\_

Project #: \_\_\_\_\_

**FEATURES:**

Tile edge for ease of installation.

One piece **Deep Drawn** sink bowls with integral drainboards with splash.

Featuring the single bowl unit design.

All sink bowls have a large liberal 3" radius.

Placement of the welded leg assembly ensures stability and furnishes direct support of the column load requirement for the entire sink unit.

"940" series is supplied with front and rear cross brace.

**CONSTRUCTION:**

All TIG welded.

Welded areas blended to match adjacent surfaces and to a satin finish.

Gussets welded to a die-embossed reinforcing channel.

**Spec-Line:** 940 Series - 11" High Splash.

**Standard:** 930 Series - 8" Splash.

**Super Saver:** 900 Series - 8" Splash.

**MATERIAL:**

**940 Series:** 14 gauge type 304 stainless steel.

**930 Series:** 16 gauge type 304 stainless steel.

**900 Series:** 18 gauge type 304 stainless steel.

- LEGS:**
- 1 5/8" diameter tubular stainless steel.
  - Stainless steel gussets & channels.
  - Stainless Steel 1" adjustable bullet feet.

**YES! It's SeaLess!**

BOWL SIZE	O.A. LENGTH (inches) (mm)	DRBD. SIZE (inches) (mm)	SPEC-LINE 940 Series		STANDARD 930 Series		SUPER SAVER 900 Series		Cubic Feet		
			14 Ga. 304 S/S 14" Water Level		16 Ga. 304 S/S 12" Water Level		18 Ga. 304 S/S 12" Water Level				
			MODEL #	Approx. Wt. (lbs.)	MODEL #	Approx. Wt. (lbs.)	MODEL #	Approx. Wt. (lbs.)			
<b>16 x 20</b> (406 x 508)	77"	1956	18"	457	94-3-54-18R or L	214	93-3-54-18R or L	173	9-3-54-18R or L	167	42
	83"	2108	24"	610	94-3-54-24R or L	222	93-3-54-24R or L	188	9-3-54-24R or L	177	45
	95"	2413	*36"	914	94-3-54-36R or L	243	93-3-54-36R or L	220	9-3-54-36R or L	208	51
<b>20 x 20</b> (508 x 508)	89"	2261	18"	457	94-23-60-18R or L	234	93-23-60-18R or L	207	9-23-60-18R or L	184	52
	95"	2413	24"	610	94-23-60-24R or L	245	93-23-60-24R or L	205	9-23-60-24R or L	193	55
	107"	2718	*36"	914	94-23-60-36R or L	252	93-23-60-36R or L	216	9-23-60-36R or L	208	60
<b>18 x 24</b> (457 x 610)	83"	2092	18"	457	94-63-54-18R or L	296	93-63-54-18R or L	271	9-63-54-18R or L	255	54
	89"	2245	24"	610	94-63-54-24R or L	308	93-63-54-24R or L	281	9-63-54-24R or L	269	58
	101"	2550	*36"	914	94-63-54-36R or L	318	93-63-54-36R or L	300	9-63-54-36R or L	287	65
<b>24 x 24</b> (610 x 610)	†107"	2718	24"	610	94-43-72-24R or L	342	93-43-72-24R or L	312	9-43-72-24R or L	298	68
	†119"	3023	*36"	914	94-43-72-36R or L	365	93-43-72-36R or L	339	9-43-72-36R or L	320	96
<b>20 x 28</b> (508 x 711)	89"	2261	18"	457	94-83-60-18R or L	281	93-83-60-18R or L	232	9-83-60-18R or L	225	79
	95"	2413	24"	610	94-83-60-24R or L	296	93-83-60-24R or L	273	9-83-60-24R or L	268	86
	107"	2718	*36"	914	94-83-60-36R or L	308	93-83-60-36R or L	287	9-83-60-36R or L	277	89
† Requires Two Faucets			14" Water Level		12" Water Level		12" Water Level				
* Regalines with 36" Drainboards are Supplied with Two Sets of Legs for Support.			17" Flood Level		15" Flood Level		15" Flood Level				



Customer Service Available To Assist You **1-800-645-3166** 8:30 am - 8:00 pm E.S.T.

Email Orders To: customer@advancetabco.com. For Smart Fabrication™ Quotes, Email To: smartfab@advancetabco.com or Fax To: 631-586-2933

**NEW YORK**  
 Fax: (631) 242-6900

**GEORGIA**  
 Fax: (770) 775-5625

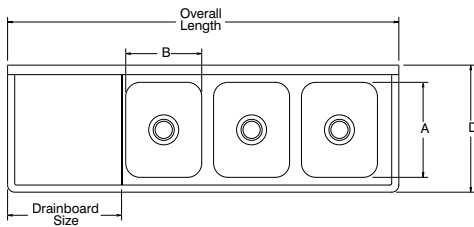
**TEXAS**  
 Fax: (972) 932-4795

**NEVADA**  
 Fax: (775) 972-1578

# DIMENSIONS and SPECIFICATIONS

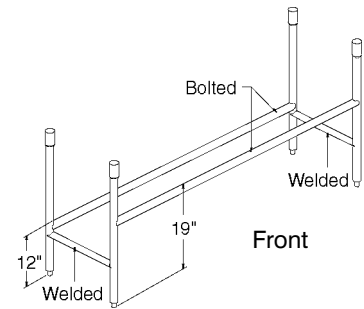
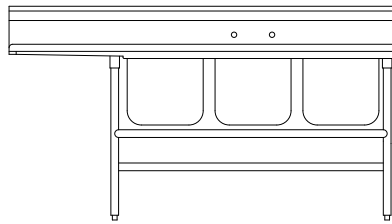
TOL Overall: ± .500"  
Interior: ± .250"

ALL DIMENSIONS ARE TYPICAL



(Left hand Drainboard Shown)

(SPECIFY DRAINBOARD LOCATION)



940 Series Cross Bracing

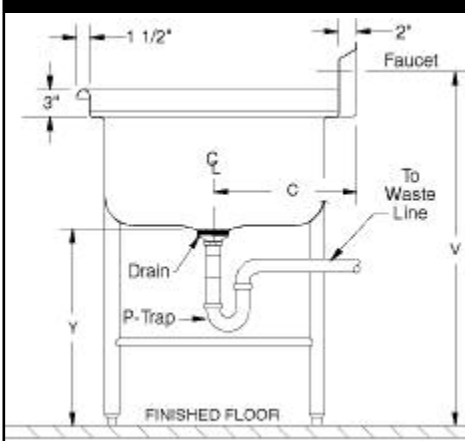
## DESCRIPTION

BOWL (SIZE)	Overall Length	DRBD (SIZE)	Recommended Use	A	B	C	D	940 SERIES					900 & 930 SERIES				
								V	W	X	Y	Z	V	W	X	Y	Z
16x20	77"	18"	DISH SINKS	20"	16"	13 5/8"	27"	38"	11"	14"	20"	45"	38"	8"	12"	22"	42"
	83"	24"															
	95"	*36"															
20x20	89"	18"	DISH & POT SINKS	20"	20"	13 5/8"	27"	38"	11"	14"	20"	45"	38"	8"	12"	22"	42"
	95"	24"															
	107"	*36"															
18x24	83"	18"	POT & PAN SINKS	24"	18"	15 5/8"	31"	38"	11"	14"	20"	45"	38"	8"	12"	22"	42"
	89"	24"															
	101"	*36"															
24x24	107"	24"	POT SINKS	24"	24"	15 5/8"	31"	38"	11"	14"	20"	45"	38"	8"	12"	22"	42"
	119"	*36"															
20x28	89"	18"	PAN SINKS	28"	20"	17 5/8"	35"	38"	11"	14"	20"	45"	38"	8"	12"	22"	42"
	95"	24"															
	107"	*36"															

† Requires Two Faucets.

\* Regalines with 36" Drainboards are Supplied with Two Sets of Legs for Support.

## PLUMBING ROUGH-IN



## MECHANICAL:

- Supply is 1/2" IPS hot & cold.
- Faucet holes on 8" centers.
- Faucets are not included (see accessories).
- Waste drains are 1 1/2" IPS S/S basket type, located in center of sink bowl, and are included.



## SECTION

