



STAINLESS STEEL
REGALINE SINKS
Four Compartments - One Drainboard

(Specify Drainboard Location)



Item #: _____ **Qty #:** _____
Model #: _____
Project #: _____

FEATURES:

Tile edge for ease of installation.
 One piece **Deep Drawn** sink bowls with integral drainboards with splash.
 Featuring the single bowl unit design.
 All sink bowls have a large liberal 3" radius.
 Placement of the welded leg assembly ensures stability and furnishes direct support of the column load requirement for the entire sink unit.
 "940" series is supplied with front and rear cross brace.

CONSTRUCTION:

All TIG welded.
 Welded areas blended to match adjacent surfaces and to a satin finish.
 Gussets welded to a die-embossed reinforcing channel.

Spec-Line: 940 Series - 11" High Splash.
Standard: 930 Series - 8" Splash.
Super Saver: 900 Series - 8" Splash.

MATERIAL:

940 Series: 14 gauge type 304 stainless steel.
930 Series: 16 gauge type 304 stainless steel.
900 Series: 18 gauge type 304 stainless steel.

- LEGS:**
- 1 5/8" diameter tubular stainless steel.
 - Stainless steel gussets & channels.
 - Stainless Steel 1" adjustable bullet feet.

YES! It's SeaLess!

BOWL SIZE	O.A. LENGTH (inches) (mm)		DRBD. SIZE (inches) (mm)		SPEC-LINE 940 Series		STANDARD 930 Series		SUPER SAVER 900 Series		Cubic Feet
					14 Ga. 304 S/S 14" Water Level		16 Ga. 304 S/S 12" Water Level		18 Ga. 304 S/S 12" Water Level		
	MODEL #	Approx. Wt. (lbs.)	MODEL #	Approx. Wt. (lbs.)	MODEL #	Approx. Wt. (lbs.)					
16 x 20 (406 x 508)	95"	2413	18"	457	94-4-72-18R or L	202	93-4-72-18R or L	165	9-4-72-18R or L	158	52
	101"	2565	24"	610	94-4-72-24R or L	216	93-4-72-24R or L	186	9-4-72-24R or L	175	54
	113"	2870	*36"	914	94-4-72-36R or L	260	93-4-72-36R or L	238	9-4-72-36R or L	227	60
20 x 20 (508 x 508)	111"	2819	18"	457	94-24-80-18R or L	276	93-24-80-18R or L	254	9-24-80-18R or L	241	61
	117"	2972	24"	610	94-24-80-24R or L	294	93-24-80-24R or L	264	9-24-80-24R or L	256	82
	129"	3277	*36"	914	94-24-80-36R or L	309	93-24-80-36R or L	377	9-24-80-36R or L	260	90
18 x 24 (457 x 610)	103"	2613	18"	457	94-64-72-18R or L	339	93-64-72-18R or L	329	9-64-72-18R or L	318	72
	109"	2765	24"	610	94-64-72-24R or L	351	93-64-72-24R or L	338	9-64-72-24R or L	329	76
	121"	3070	*36"	914	94-64-72-36R or L	369	93-64-72-36R or L	353	9-64-72-36R or L	341	84
24 x 24 (610 x 610)	133"	3378	24"	610	94-44-96-24R or L	354	93-44-96-24R or L	336	9-44-96-24R or L	327	92
	145"	3683	*36"	914	94-44-96-36R or L	376	93-44-96-36R or L	355	9-44-96-36R or L	344	100
20 x 28 (508 x 711)	111"	2819	18"	457	94-84-80-18R or L	348	93-84-80-18R or L	329	9-84-80-18R or L	317	87
	117"	29723	24"	610	94-84-80-24R or L	364	93-84-80-24R or L	337	9-84-80-24R or L	329	91
	129"	277	*36"	914	94-84-80-36R or L	382	93-84-80-36R or L	355	9-84-80-36R or L	347	100
All Units Require Two Faucets					14" Water Level		12" Water Level		12" Water Level		
* Regalines with 36" Drainboards are Supplied with Two Sets of Legs for Support.					17" Flood Level		15" Flood Level		15" Flood Level		



Customer Service Available To Assist You **1-800-645-3166** 8:30 am - 8:00 pm E.S.T.

Email Orders To: customer@advancetabco.com. For Smart Fabrication™ Quotes, Email To: smartfab@advancetabco.com or Fax To: 631-586-2933

NEW YORK
 Fax: (631) 242-6900

GEORGIA
 Fax: (770) 775-5625

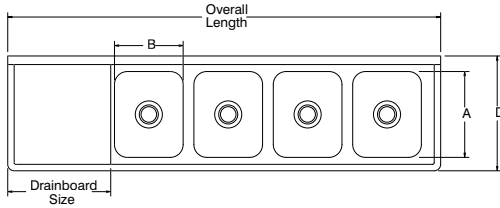
TEXAS
 Fax: (972) 932-4795

NEVADA
 Fax: (775) 972-1578

DIMENSIONS and SPECIFICATIONS

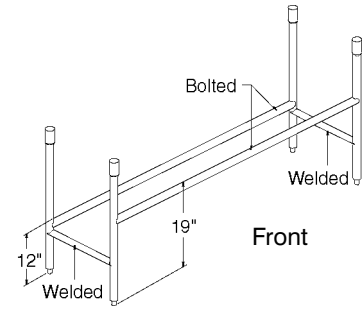
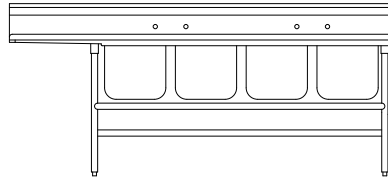
TOL Overall: ± .500"
Interior: ± .250"

ALL DIMENSIONS ARE TYPICAL



(Left hand Drainboard Shown)

(SPECIFY DRAINBOARD LOCATION)



940 Series Cross Bracing

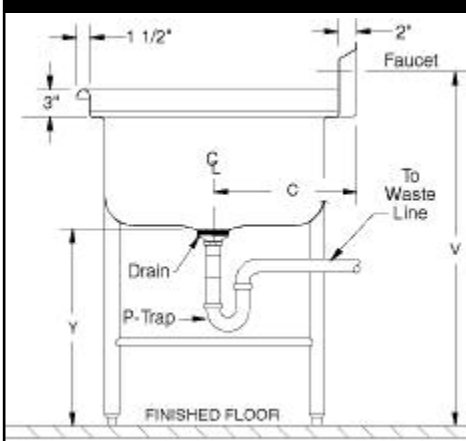
DESCRIPTION

BOWL (SIZE)	Overall Length	DRBD (SIZE)	Recommended Use	A	B	C	D	940 SERIES					900 & 930 SERIES				
								V	W	X	Y	Z	V	W	X	Y	Z
16x20	95"	18"	DISH SINKS	20"	16"	13 5/8"	27"	38"	11"	14"	20"	45"	38"	8"	12"	22"	42"
	101"	24"															
	113"	*36"															
20x20	111"	18"	DISH & POT SINKS	20"	20"	13 5/8"	27"	38"	11"	14"	20"	45"	38"	8"	12"	22"	42"
	117"	24"															
	129"	*36"															
18x24	103"	18"	POT & PAN SINKS	24"	18"	15 5/8"	31"	38"	11"	14"	20"	45"	38"	8"	12"	22"	42"
	109"	24"															
	121"	*36"															
24x24	133"	24"	POT SINKS	24"	24"	15 5/8"	31"	38"	11"	14"	20"	45"	38"	8"	12"	22"	42"
	145"	*36"															
20x28	111"	18"	PAN SINKS	28"	20"	17 5/8"	35"	38"	11"	14"	20"	45"	38"	8"	12"	22"	42"
	117"	24"															
	129"	*36"															

All Sinks Require Two Faucets.

* Regalines with 36" Drainboards are Supplied with Two Sets of Legs for Support.

PLUMBING ROUGH-IN



MECHANICAL:

- Supply is 1/2" IPS hot & cold.
- Faucet holes on 8" centers.
- Faucets are not included (see accessories).
- Waste drains are 1 1/2" IPS S/S basket type, located in center of sink bowl, and are included.



SECTION

