



STAINLESS STEEL SINK CABINETS



STANDARD CABINET

DESIGN:

Furnished with a 2" x 1" square die embossed No-Drip countertop offset edge on 3 sides.
Furnished with a 5" Back splash with a 1" return.
Door is a double panel design.
Designed so that utility lines have access for ease of installation.
Furnished with **K-124** 6" extended spout faucet & drain.

MATERIAL:

TOP is 14 gauge stainless steel type "304" series.
BODY is 18 gauge stainless steel type "430" series.
Faucet is chrome plated.
Stainless steel basket type drain.
Stainless steel legs, gussets and adjustable feet.

MECHANICAL:

Faucet 4" O.C., Drain 1 1/2 IPS.
1" adjustable stainless steel bullet feet.

CONSTRUCTION:

All TIG welded.
TOP and all exposed surfaces are mechanically polished to a satin finish and sound deadened.
Countertop edge is polished to a MIRROR finish.
Double panel door welded & sound deadened.
Roll formed embossed galvanized hat channels are secured to top by means of structural adhesive and weld studs.

Item #: _____ *Qty #:* _____
Model #: _____
Project #: _____



No Drip DIE Formed Edge



Model #	L	Bowl Size		Weight
		L	W x D	
SHK-302	24"	10"	14"x10"	150 lbs.
SHK-180	18"	10"	14"x10"	125 lbs.
W=Front to Back				

KORNER CABINET

DESIGN:

Furnished with a 5" Back Splash with a 1" return.
SHK-2441 is designed to line up with "HK" 5" Back Splash Enclosed Base Tables to create functional work area.
Door is a double panel design.
Utility access clearance provided for ease of plumbing installation.
Furnished with **K-124** 6" extended spout faucet & drain.
Mitered front permits easy access to sink bowl & faucet.

MATERIAL:

TOP is 14 gauge stainless steel type "304" series.
BODY is 18 gauge stainless steel type "430" series.
Stainless steel basket type drain.
Stainless steel legs, gussets and adjustable feet.

MECHANICAL:

Faucet 4" O.C., Drain 1-1/2 IPS.
1" adjustable stainless steel bullet feet.

CONSTRUCTION:

All TIG welded - Unit body construction
TOP and all exposed surfaces are mechanically polished to a satin finish and sound deadened.
Double panel door welded & sound deadened.
Roll formed embossed galvanized hat channels are secured to top by means of structural adhesive and weld studs.



Model #	W	L	Bowl Size		Weight
			A x B	x D	
SHK-1735	17"	35"	14"	10"x10"	215 lbs.
SHK-2441	24"	41"	16"	20"x12"	250 lbs.
W=Left to Right					



Customer Service Available To Assist You **1-800-645-3166** 8:30 am - 8:00 pm E.S.T.

Email Orders To: customer@advancetabco.com. For Smart Fabrication™ Quotes, Email To: smartfab@advancetabco.com or Fax To: 631-586-2933

NEW YORK
Fax: (631) 242-6900

GEORGIA
Fax: (770) 775-5625

TEXAS
Fax: (972) 932-4795

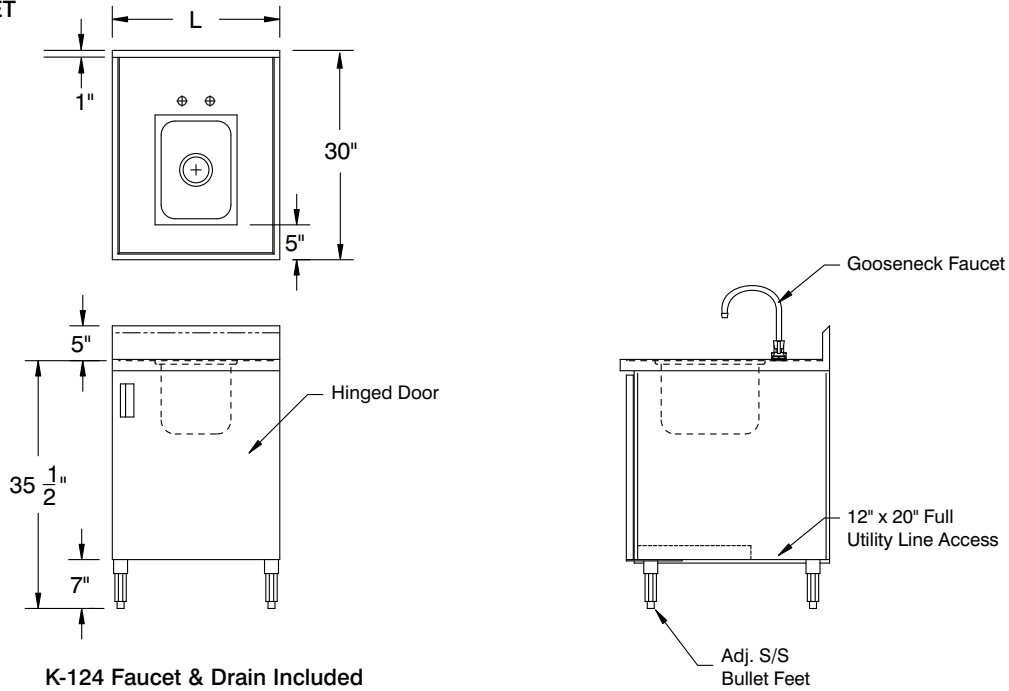
NEVADA
Fax: (775) 972-1578

DETAILS and SPECIFICATIONS

TOL ± .500"

ALL DIMENSIONS ARE TYPICAL

STANDARD SINK CABINET



KORNER SINK CABINET

