



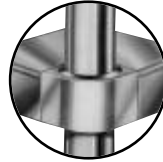
# STAINLESS STEEL EQUIPMENT STANDS



Item #: \_\_\_\_\_ Qty #: \_\_\_\_\_

Model #: \_\_\_\_\_

Project #: \_\_\_\_\_



Featuring as Standard:  
**"THE PROVEN"**  
ORIGINAL ADVANCE TABCO  
**Adjustable Undershelf  
with Die Cast Leg Clamp**

### FEATURES: (as it applies)

TOP is furnished with 1" hemmed edge splash on rear and both sides. Front edge is a die formed No-Drip V-Edge.

Aluminum die cast "leg to shelf" clamp secures shelf to leg eliminating unsightly nuts and bolts.

Undershelf is adjustable.

### CONSTRUCTION:

All TIG welded. Exposed weld areas finished to match adjacent surfaces.

Entire Top is mechanically polished to a satin finish and is sound deadened.

Roll formed embossed galvanized hat channels are secured to top by means of structural adhesive and weld studs.

Gussets welded to support hat sections.

### MATERIAL:

#### ES-Series Stainless Steel Base

TOP is 14 gauge stainless steel type "304" series with galvanized understructure.

SHELF is 18 gauge stainless steel.

LEGS are 1 5/8" diameter heavy gauge tubular stainless steel with stainless steel gussets and 1" adjustable stainless steel bullet feet.

#### EG-Series Galvanized Base

TOP is 14 gauge stainless steel type "304 series with galvanized understructure.

SHELF is 18 gauge galvanized steel.

LEGS are 1 5/8" diameter tubular galvanized steel with galvanized steel gussets and 1" adjustable plastic bullet feet.

### OPTIONAL:

Laminated Hardwood Cutting Board is secured to stainless steel channels. Channels are welded to a stainless steel one-piece L-shaped tubular support which in turn is welded to a stainless steel sliding collar for height adjustments.

18 Gauge stainless steel Plate Shelf secured to stainless steel gusset and attached to stainless steel sliding collar for height adjustment.

### STAINLESS STEEL GALVANIZED

L	24" Wide	Wt.	30" Wide	Wt.	24" Wide	Wt.	30" Wide	Wt.
24"	ES-242	45 lbs.	ES-302	51 lbs.	EG-242	45 lbs.	EG-302	51 lbs.
36"	ES-243	60 lbs.	ES-303	68 lbs.	EG-243	60 lbs.	EG-303	68 lbs.
48"	ES-244	77 lbs.	ES-304	85 lbs.	EG-244	77 lbs.	EG-304	85 lbs.
60"	ES-245	86 lbs.	ES-305	102 lbs.	EG-245	86 lbs.	EG-305	102 lbs.
72"	ES-246	104 lbs.	ES-306	119 lbs.	EG-246	104 lbs.	EG-306	119 lbs.
84"	ES-247	112 lbs.	ES-307	142 lbs.	EG-247	112 lbs.	EG-307	142 lbs.
96"	ES-248	137 lbs.	ES-308	164 lbs.	EG-248	137 lbs.	EG-308	164 lbs.

### OPTIONAL ACCESSORIES

#### Wood Cutting Board

#### Plate Shelf

Length	Model #	Wt.	Model #	Wt.
24"	TA-922	28 lbs.	TA-962	22 lbs.
36"	TA-923	30 lbs.	TA-963	24 lbs.
48"	TA-924	34 lbs.	TA-964	27 lbs.
60"	TA-925	37 lbs.	TA-965	31 lbs.
72"	TA-926	40 lbs.	TA-966	40 lbs.
84"	TA-927	56 lbs.	TA-967	50 lbs.
96"	TA-928	64 lbs.	TA-968	57 lbs.



Customer Service Available To Assist You **1-800-645-3166** 8:30 am - 8:00 pm E.S.T.

Email Orders To: [customer@advancetabco.com](mailto:customer@advancetabco.com). For Smart Fabrication™ Quotes, Email To: [smartfab@advancetabco.com](mailto:smartfab@advancetabco.com) or Fax To: 631-586-2933

**NEW YORK**  
Fax: (631) 242-6900

**GEORGIA**  
Fax: (770) 775-5625

**TEXAS**  
Fax: (972) 932-4795

**NEVADA**  
Fax: (775) 972-1578

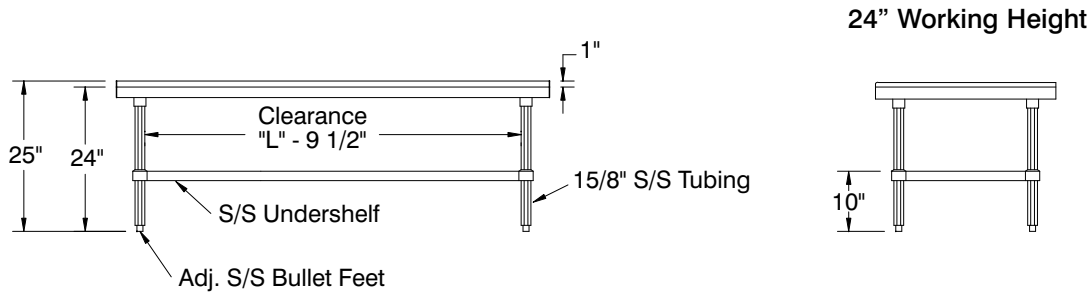
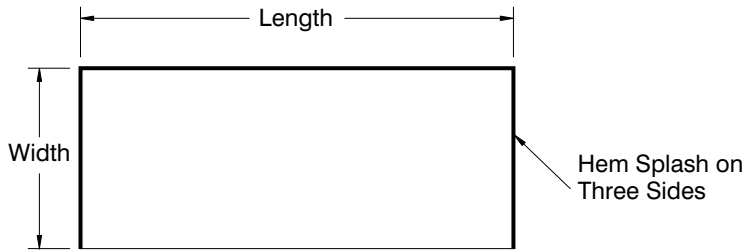
# DETAILS and SPECIFICATIONS

TOL ± .500"

ALL DIMENSIONS ARE TYPICAL

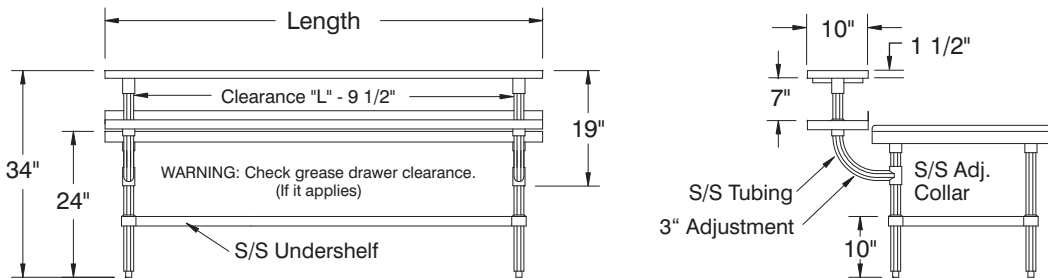
7 ft. units and longer are furnished with six (6) legs.

Maximum Total Load = 1000 lbs.



## with Plate Shelf & Cutting Board

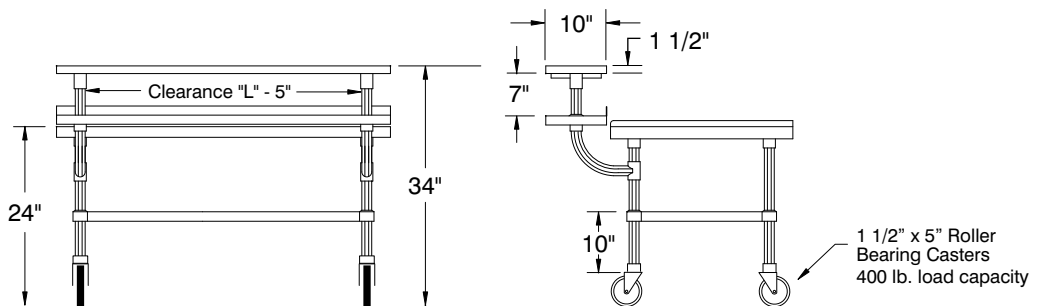
Maximum Load Weight for Plate Shelf is 25 lbs.



## Mobile Unit

### Optional X.H.D. Casters

- TA-255 Set of 4
- TA-256 Set of 6
- Each Set supplied with 2 brakes.



ADVANCE TABCO is constantly engaged in a program of improving our products. Therefore, we reserve the right to change specifications without prior notice.