



STAINLESS STEEL  
**WORK TABLES**

**SPEC-LINE Series - Flat Top - OPEN BASE Style**



**Item #:** \_\_\_\_\_ **Qty #:** \_\_\_\_\_  
**Model #:** \_\_\_\_\_  
**Project #:** \_\_\_\_\_

**FEATURES:**

Top is furnished with a 2" x 1" square die embossed NO-DRIP countertop edge with a 1/2" return on 4 sides.

To reinforce and maintain a level working surface, 24" wide tables are supplied with TWO hat channels and 30" and 36" wide tables are supplied with THREE hat channels.

Pre-engineered welded angle adapters insure ease of future drawer installation.

Front to back Stretchers are welded to legs. Left to right Stretcher bolted to legs and requires assembly.

**CONSTRUCTION:**

All TIG welded. Exposed weld areas polished to match adjacent surfaces.

Entire top mechanically polished to a satin finish.

Top is sound deadened.

Roll formed embossed galvanized hat channels are secured to top by means of structural adhesive and weld studs.

Gussets welded to support hat sections.



**No-Drip DIE FORMED EDGE** offers the Ultimate in Design & Function.



**1-5/8" LEG STRETCHERS** Ensure Stability

**MATERIAL:**

**TVSS-SERIES: Stainless Steel Legs - Open Base**

**TOP:** 14 gauge stainless steel type "304" series.

**STRETCHERS:** 1 5/8" dia. tubular stainless steel.

**LEGS:** 1 5/8" diameter tubular, 16 gauge stainless steel type "304" series.

1" adjustable **stainless steel** bullet feet.

Stainless steel gussets.

**TVLG-SERIES: Galvanized Legs - Open Base**

**TOP:** 14 gauge stainless steel type "304" series.

**STRETCHERS:** 1 5/8" dia. tubular galvanized steel.

**LEGS:** 1 5/8" diameter tubular galvanized steel.

1" adjustable plastic bullet feet.

Galvanized steel gussets.

**TVSS-Series:  
Stainless Steel Legs & Stretchers**

| L    | 24" Wide  | 30" Wide  | 36" Wide  |
|------|-----------|-----------|-----------|
| 30"  | TVSS-240  | TVSS-300  |           |
| 24"  | TVSS-242  | TVSS-302  |           |
| 36"  | TVSS-243  | TVSS-303  | TVSS-363  |
| 48"  | TVSS-244  | TVSS-304  | TVSS-364  |
| 60"  | TVSS-245  | TVSS-305  | TVSS-365  |
| 72"  | TVSS-246  | TVSS-306  | TVSS-366  |
| 84"  | TVSS-247  | TVSS-307  | TVSS-367  |
| 96"  | TVSS-248  | TVSS-308  | TVSS-368  |
| 108" | TVSS-249  | TVSS-309  | TVSS-369  |
| 120" | TVSS-2410 | TVSS-3010 | TVSS-3610 |
| 132" | TVSS-2411 | TVSS-3011 | TVSS-3611 |
| 144" | TVSS-2412 | TVSS-3012 | TVSS-3612 |



**TVLG-Series:  
Galvanized Steel Legs & Stretchers**

| L    | 24" Wide  | 30" Wide  | 36" Wide  |
|------|-----------|-----------|-----------|
| 30"  | TVLG-240  | TVLG-300  |           |
| 24"  | TVLG-242  | TVLG-302  |           |
| 36"  | TVLG-243  | TVLG-303  | TVLG-363  |
| 48"  | TVLG-244  | TVLG-304  | TVLG-364  |
| 60"  | TVLG-245  | TVLG-305  | TVLG-365  |
| 72"  | TVLG-246  | TVLG-306  | TVLG-366  |
| 84"  | TVLG-247  | TVLG-307  | TVLG-367  |
| 96"  | TVLG-248  | TVLG-308  | TVLG-368  |
| 108" | TVLG-249  | TVLG-309  | TVLG-369  |
| 120" | TVLG-2410 | TVLG-3010 | TVLG-3610 |
| 132" | TVLG-2411 | TVLG-3011 | TVLG-3611 |
| 144" | TVLG-2412 | TVLG-3012 | TVLG-3612 |

**Create Your Own Efficient Workstation with the Available Standard Accessories (Visit Section K)**



**Customer Service Available To Assist You 1-800-645-3166 8:30 am - 8:00 pm E.S.T.**

Email Orders To: [customer@advancetabco.com](mailto:customer@advancetabco.com). For Smart Fabrication™ Quotes, Email To: [smartfab@advancetabco.com](mailto:smartfab@advancetabco.com) or Fax To: 631-586-2933

**NEW YORK**  
Fax: (631) 242-6900

**GEORGIA**  
Fax: (770) 775-5625

**TEXAS**  
Fax: (972) 932-4795

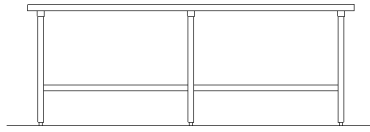
**NEVADA**  
Fax: (775) 972-1578

# DIMENSIONS and SPECIFICATIONS

ALL DIMENSIONS ARE TYPICAL TOL ± .500"

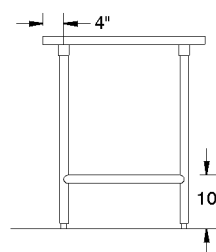
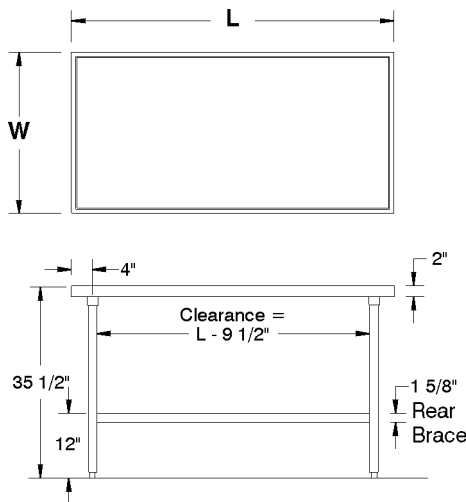
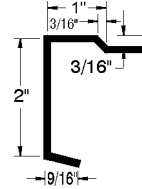
All Units Shipped Unassembled (KD) for Reduced Shipping Costs.

## TVSS & TVLG Series OPEN BASE Style FLAT TOP



Units 8 ft. and larger are furnished with six (6) legs

### COUNTERTOP EDGE DETAIL



### TVSS-Series: Stainless Steel Legs & Stretches

| L    | 24" Wide  | Wt.      | 30" Wide  | Wt.      | 36" Wide  | Wt.      |
|------|-----------|----------|-----------|----------|-----------|----------|
| 30"  | TVSS-240  | 42 lbs.  | TVSS-300  | 52 lbs.  |           |          |
| 24"  | TVSS-242  | 25 lbs.  | TVSS-302  | 47 lbs.  |           |          |
| 36"  | TVSS-243  | 53 lbs.  | TVSS-303  | 59 lbs.  | TVSS-363  | 75 lbs.  |
| 48"  | TVSS-244  | 64 lbs.  | TVSS-304  | 72 lbs.  | TVSS-364  | 85 lbs.  |
| 60"  | TVSS-245  | 74 lbs.  | TVSS-305  | 85 lbs.  | TVSS-365  | 96 lbs.  |
| 72"  | TVSS-246  | 85 lbs.  | TVSS-306  | 93 lbs.  | TVSS-366  | 108 lbs. |
| 84"  | TVSS-247  | 103 lbs. | TVSS-307  | 113 lbs. | TVSS-367  | 127 lbs. |
| 96"  | TVSS-248  | 114 lbs. | TVSS-308  | 126 lbs. | TVSS-368  | 140 lbs. |
| 108" | TVSS-249  | 130 lbs. | TVSS-309  | 150 lbs. | TVSS-369  | 165 lbs. |
| 120" | TVSS-2410 | 227 lbs. | TVSS-3010 | 261 lbs. | TVSS-3610 | 261 lbs. |
| 132" | TVSS-2411 | 251 lbs. | TVSS-3011 | 268 lbs. | TVSS-3611 | 290 lbs. |
| 144" | TVSS-2412 | 266 lbs. | TVSS-3012 | 283 lbs. | TVSS-3612 | 305 lbs. |

### TVLG-Series: Galvanized Steel Legs & Stretches

| L    | 24" Wide  | Wt.      | 30" Wide  | Wt.      | 36" Wide  | Wt.      |
|------|-----------|----------|-----------|----------|-----------|----------|
| 30"  | TVLG-240  | 42 lbs.  | TVLG-300  | 52 lbs.  |           |          |
| 24"  | TVLG-242  | 25 lbs.  | TVLG-302  | 47 lbs.  |           |          |
| 36"  | TVLG-243  | 53 lbs.  | TVLG-303  | 59 lbs.  | TVLG-363  | 75 lbs.  |
| 48"  | TVLG-244  | 64 lbs.  | TVLG-304  | 72 lbs.  | TVLG-364  | 85 lbs.  |
| 60"  | TVLG-245  | 74 lbs.  | TVLG-305  | 85 lbs.  | TVLG-365  | 96 lbs.  |
| 72"  | TVLG-246  | 85 lbs.  | TVLG-306  | 93 lbs.  | TVLG-366  | 108 lbs. |
| 84"  | TVLG-247  | 103 lbs. | TVLG-307  | 113 lbs. | TVLG-367  | 127 lbs. |
| 96"  | TVLG-248  | 114 lbs. | TVLG-308  | 126 lbs. | TVLG-368  | 140 lbs. |
| 108" | TVLG-249  | 130 lbs. | TVLG-309  | 150 lbs. | TVLG-369  | 165 lbs. |
| 120" | TVLG-2410 | 227 lbs. | TVLG-3010 | 261 lbs. | TVLG-3610 | 261 lbs. |
| 132" | TVLG-2411 | 251 lbs. | TVLG-3011 | 268 lbs. | TVLG-3611 | 290 lbs. |
| 144" | TVLG-2412 | 266 lbs. | TVLG-3012 | 283 lbs. | TVLG-3612 | 305 lbs. |

