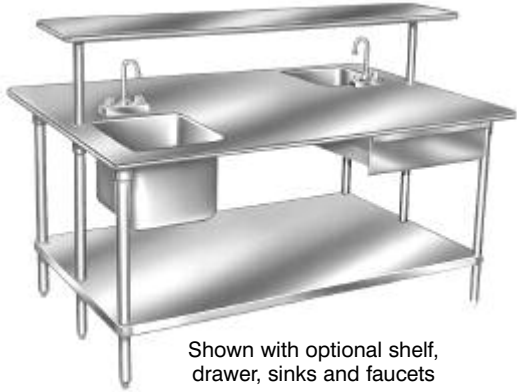


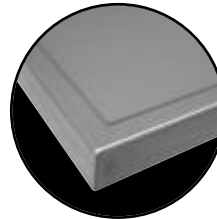


STAINLESS STEEL
WORK TABLES
SPEC-LINE Series - Flat Top - 48" Wide



Shown with optional shelf, drawer, sinks and faucets

Item #: _____ **Qty #:** _____
Model #: _____
Project #: _____



No-Drip DIE FORMED EDGE offers the Ultimate in Design & Function.



Featuring as Standard: **"THE PROVEN"** ORIGINAL ADVANCE TABCO **Adjustable Undershelf with Die Cast Leg Clamp**

FEATURES:

Top is furnished with a 2" x 1" square die embossed NO-DRIP countertop edge with a 1/2" return on 4 sides.

Four hat channels supplied to reinforce & maintain a level working surface.

Pre-engineered welded angle adapters insure ease of future drawer installation.

VSS-VLG Series:

Aluminum die cast "leg-to-shelf" clamp secures shelf to leg eliminating unsightly nuts & bolts. Undershelf is adjustable.

TVSS-TVLG Series:

Front to Back Leg Stretchers welded to legs and requires assembly. Left to Right Stretcher bolted to legs.

CONSTRUCTION:

All TIG welded. Exposed weld areas polished to match adjacent surfaces.

Entire top mechanically polished to a satin finish. Countertop edge polished to a MIRROR finish.

Top is sound deadened.

Roll formed embossed galvanized hat channels are secured to top by means of structural adhesive and weld studs.

Gussets welded to support hat sections.

MATERIAL: Undershelf (VSS-VLG)

TOP: 14 gauge stainless steel type "304" series.

SHELF: VSS-Series: 18 gauge stainless steel

VLG-Series: 18 gauge galvanized steel.

LEGS: VSS-Series: 1-5/8" dia. tubular 16 gauge stainless type "304" series steel with **stainless steel** gussets & bullet feet.

VLG-Series: 1-5/8" dia. tubular galvanized steel with galvanized steel gussets.

1" adjustable plastic bullet feet.

MATERIAL: Open Base (TVSS-TVLG)

TOP: 14 gauge stainless steel type "304" series.

STRETCHERS: TVSS-Series: 1-5/8" dia. tubular stainless steel

TVLG-Series: 1-5/8" dia. tubular galvanized steel.

LEGS: TVSS-Series: 1-5/8" dia. tubular 16 gauge stainless steel with stainless steel gussets & bullet feet.

TVLG-Series: 1-5/8" dia. tubular galvanized steel with galvanized steel gussets.

1" adjustable plastic bullet feet.

L	Stainless Steel	Galvanized Steel	Stainless Steel	Galvanized Steel
48"	VSS-484	VLG-484	TVSS-484	TVLG-484
60"	VSS-485	VLG-485	TVSS-485	TVLG-485
72"	VSS-486	VLG-486	TVSS-486	TVLG-486
84"	VSS-487	VLG-487	TVSS-487	TVLG-487
96"	VSS-488	VLG-488	TVSS-488	TVLG-488
108"	VSS-489	VLG-489	TVSS-489	TVLG-489
120"	VSS-4810	VLG-4810	TVSS-4810	TVLG-4810
132"	VSS-4811	VLG-4811	TVSS-4811	TVLG-4811
144"	VSS-4812	VLG-4812	TVSS-4812	TVLG-4812
UNDERSHELF STYLE			OPEN BASE STYLE	

OPTIONAL ACCESSORIES	Model #	Qty
Drawer		
Lock		
Sink		
Casters		
Shelving		
Duplex Recept.		
16 Ga. S/S 304 Legs		



Customer Service Available To Assist You 1-800-645-3166 8:30 am - 8:00 pm E.S.T.

Email Orders To: customer@advancetabco.com. For Smart Fabrication™ Quotes, Email To: smartfab@advancetabco.com or Fax To: 631-586-2933

NEW YORK
 Fax: (631) 242-6900

GEORGIA
 Fax: (770) 775-5625

TEXAS
 Fax: (972) 932-4795

NEVADA
 Fax: (775) 972-1578

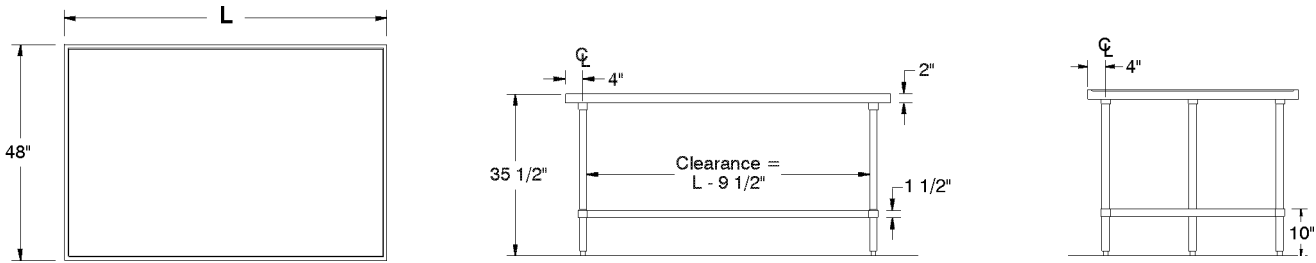
DIMENSIONS and SPECIFICATIONS

ALL DIMENSIONS ARE TYPICAL TOL ± .500"

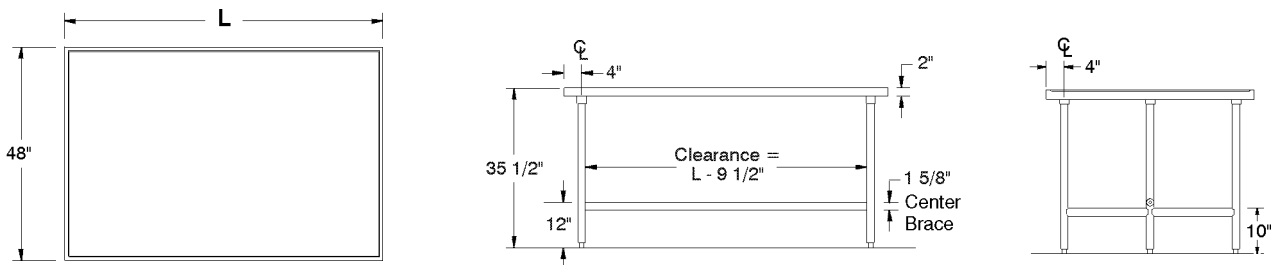
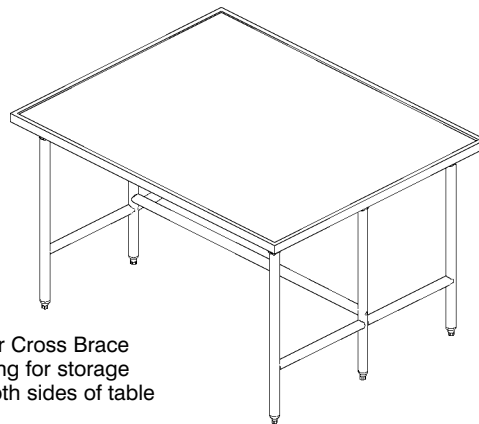
Units 8 ft. and larger are furnished with nine (9) legs.

All Units Shipped Unassembled (KD) for Reduced Shipping Costs.

VSS & VLG-Series - S/S Legs & UNDERSHELF - Countertop Edge



TVSS & TVLG-Series - S/S Legs & OPEN BASE - Countertop Edge



L	Stainless Steel	Galvanized Steel	Wt.	Stainless Steel	Galvanized Steel	Wt.
48"	VSS-484	VLG-484	158 lbs.	TVSS-484	TVLG-484	128 lbs.
60"	VSS-485	VLG-485	184 lbs.	TVSS-485	TVLG-485	148 lbs.
72"	VSS-486	VLG-486	218 lbs.	TVSS-486	TVLG-486	170 lbs.
84"	VSS-487	VLG-487	260 lbs.	TVSS-487	TVLG-487	206 lbs.
96"	VSS-488	VLG-488	290 lbs.	TVSS-488	TVLG-488	228 lbs.
108"	VSS-489	VLG-489	322 lbs.	TVSS-489	TVLG-489	260 lbs.
120"	VSS-4810	VLG-4810	522 lbs.	TVSS-4810	TVLG-4810	454 lbs.
132"	VSS-4811	VLG-4811	601 lbs.	TVSS-4811	TVLG-4811	517 lbs.
144"	VSS-4812	VLG-4812	616 lbs.	TVSS-4812	TVLG-4812	532 lbs.

