

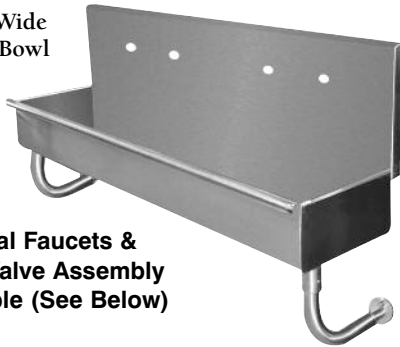


STAINLESS STEEL  
**HAND SINKS**  
**WALL MOUNTED MULTI-STATIONS**  
 with Tubular Supports

*Multi-Wash Multi-Functional*

**Standard "19" Series**

17 1/2" Wide  
 8" Deep Bowl



**Optional Faucets & Knee Valve Assembly Available (See Below)**

**FEATURES:**

Square corner construction for extra duty applications.  
 Tubular stainless steel supports allow full clearance underneath.  
 10" High Backsplash.  
 1-1/8" diameter, 8" O.C. faucet holes.  
 Stainless steel "Z" brackets (2) supplied each unit.

**CONSTRUCTION:**

All TIG welded.  
 Welded areas blended to match adjacent surfaces and to a satin finish.  
 Die formed tubular wall brackets.

**MATERIAL:**

All 16 gauge type "304" stainless steel.  
 1 5/8" tubular stainless steel wall brackets.  
 Stainless steel gussets.

**MECHANICAL:**

Supply is 1/2" hot and cold.  
 Faucet holes 8" on centers.  
 Faucets and foot pedals are not included (see accessories).  
 Waste drain is 1-1/2" basket type, and is included.

Length	MODEL	# of Faucets	Approx Wt	Approx Cubes
23"	19-18-23	1	50 lbs.	10
48"	19-18-48	2	60 lbs.	15
60"	19-18-60	2	70 lbs.	18
72"	19-18-72	3	80 lbs.	21
96"	19-18-96	4	100 lbs.	28

MODEL	Optional Accessories	QTY
K-121	Gooseneck Spout	___
7-PS-32	Knee Valve Assembly	___
K-175	Electronic Faucet	___
K-88	Relocate Drain to Rear for A.D.A	___
K-13	S/S Soap Dispenser	___
K-13WMS	Factory Install K-13 to Backsplash	___



7-PS-32



K-121

**Item #:** \_\_\_\_\_ **Qty #:** \_\_\_\_\_  
**Model #:** \_\_\_\_\_  
**Project #:** \_\_\_\_\_

**NSF Series**



19 1/2" Wide  
 8" Deep Bowl

**FEATURES:**

Tubular stainless steel supports allow full clearance underneath.  
 8 1/2" High Backsplash.  
 1-1/8" diameter, 8" O.C. faucet holes.  
 Stainless steel "Z" brackets (2) supplied each unit.

**CONSTRUCTION:**

All TIG welded.  
 Welded areas blended to match adjacent surfaces and to a satin finish.  
 Die formed tubular wall brackets.

**MATERIAL:**

All 14 gauge type "304" stainless steel.  
 1 5/8" tubular stainless steel wall brackets.  
 Stainless steel gussets.

**MECHANICAL:**

Supply is 1/2" hot and cold.  
 Faucet holes 8" on centers.  
 Faucets and foot pedals are not included (see accessories).  
 Waste drain is 1-1/2" basket type, and is included.

(L) Length	MODEL	# of Faucets	A	B	C	Approx Wt	Approx Cubes
48"	FS-WM-48	2	43"	11"	10"	60 lbs.	15
60"	FS-WM-60	2	55"	15"	14"	70 lbs.	18
72"	FS-WM-72	3	67"	10"	14"	80 lbs.	21
96"	FS-WM-96	4	91"	32"	16"	100 lbs.	28

**NOTE: 96" Units provided with 2 Drains**

**Standard Faucet conforms to NSF 61 Standard 9 and compliance to AB 1953 Standards.**

For Replacement Faucets & Upgrades, Drains & Accessories visit our website at [www.advancetabco.com](http://www.advancetabco.com)



**Customer Service Available To Assist You 1-800-645-3166 8:30 am - 8:00 pm E.S.T.**

Email Orders To: [customer@advancetabco.com](mailto:customer@advancetabco.com). For Smart Fabrication™ Quotes, Email To: [smartfab@advancetabco.com](mailto:smartfab@advancetabco.com) or Fax To: 631-586-2933

**NEW YORK**  
 Fax: (631) 242-6900

**GEORGIA**  
 Fax: (770) 775-5625

**TEXAS**  
 Fax: (972) 932-4795

**NEVADA**  
 Fax: (775) 972-1578

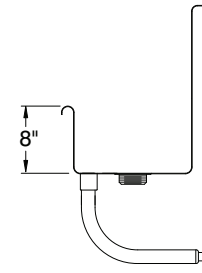
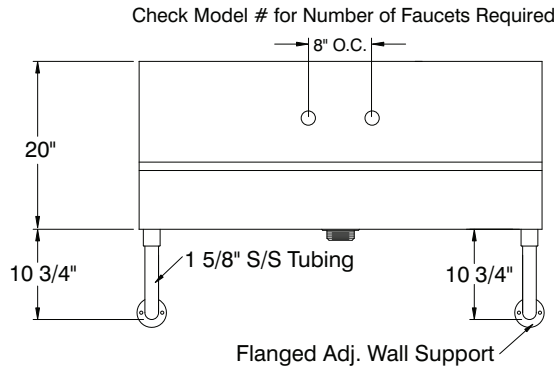
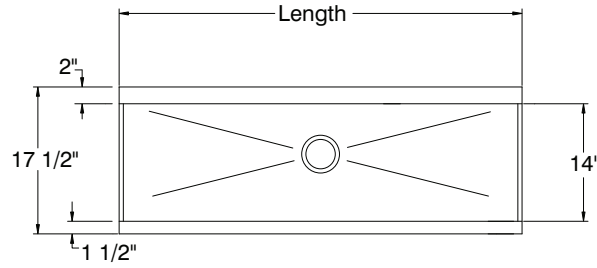
# DIMENSIONS and SPECIFICATIONS

TOL ± .500"

FITTINGS SUPPLIED AS SHOWN

ALL DIMENSIONS ARE TYPICAL

## STANDARD "19" SERIES



## STANDARD "FS-WM" SERIES

