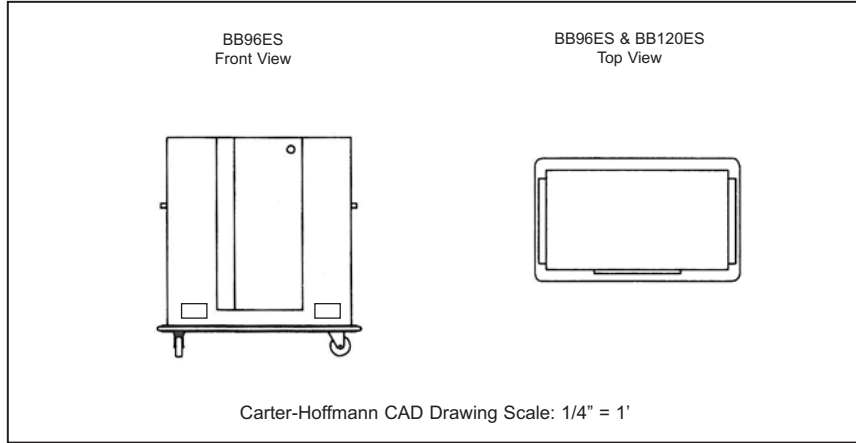




BB96ES ENERGY SAVER BANQUET CARTER for plates 8-3/4" to 10-1/2" in diameter

CARTER-HOFFMANN
11
BANQUET CARTS
FOOD SERVICE EQUIPMENT



Model Number	Plate Capacity*			Number of Shelves	Clearance Between Shelves		Shelf Size		Overall Dimensions			Caster Diameter		Shipping Weight				
	with "P" carriers	with "C" carriers	without carriers		in	mm	in	mm	Height	Depth	Width	in	mm	lbs	kgs			
BB96ES	96	120	120	3	13	330	22x42 1/2	559x1080	57 1/2	1460	32 1/2	826	52 3/4	1340	6	152	427	194
# carriers	12 (8P)	12 (8C)	-															

*Capacity based on common plate depth and combined plate/cover height of 2.5". Due to the variety of plate thicknesses and depths, as well as plate cover heights; actual capacity may vary.

CONSTRUCTION... Completely welded double wall cabinet construction with outer cabinet formed and welded to base. All seams turned in to eliminate raw edges.

CABINET MATERIAL... All stainless steel construction; 20 gauge polished exterior and 24 gauge interior.

BASE FRAME... 12 gauge stainless steel full depth bolsters with 1"x1" stainless steel perimeter channel supports.

CASTERS... 6" diameter, industrial grade polyurethane casters. Two swivel and two rigid. Sealed roller axle bearing and double ball bearing swivel. Plate mounted and bolted to base in offset "wheel ahead" pattern. Two casters fitted with brakes.

BUMPER... Non-marking gray vinyl bumper set in heavy duty 3/16" extruded aluminum frame with reinforced corner "cut-outs."

INSULATION... 2" thick high density continuous wrap-around type fiberglass insulation with 2" thickness on top and bottom.

GASKET... High temperature silicone gasket.

DOORS... Welded double stainless steel door. Filled with 2" thick fiberglass insulation.

HINGES... Concealed, stainless steel hinge with 5/16" pin.

PUSH HANDLES... Two horizontal full width stainless steel tubular push handles with back-up plates. Mounted to each end of the cabinet.

LATCHES... Flush mounted, heavy-duty sliding latch(es) with exclusive grip handle.

SHELVES... Welded, duplex nickel-plated removable wire shelves.

THERMOMETER... Dial type with remote sensing bulb and sensing bulb protector. Mounted to door.

CANNED FUEL DRAWERS... Two canned fuel drawers with a total capacity of 4 fuel cans. Accessible from the outside when the door is closed. When fuel cans are in the drawers, they will have an air gap when closed to allow air into the cart to keep fuel lit.

HEATING SYSTEM... Bottom mounted heater. Stainless steel construction. Removable without tools. 1600 watt inconel-sheathed heating element. High impedance protected, internally cooled fan motor. Full range thermostat and power indicating light.

ELECTRICAL CHARACTERISTICS... Operates on 120 volts, 60 cycle, single phase, 1650 watts, 13.7 amps. Ten foot rubber cord with 3 prong grounding plug. NEMA 5-15P plug.

PERFORMANCE... Capable of heating to 200° F (94° C). Preheat to 160° F (71° C) in approximately 20 minutes.

ACCESSORIES/OPTIONS...

- 4 wheel brakes
- Alternate electrical configurations
- On/Off heater toggle switch
- Top mounted transport latch
- Locking paddle latch
- Lexan thermometer cover
- Cold plate
- Alternate caster sizes & types
- Menu card holder
- Plate carriers - specify open "P" type or covered plate "C" type (see other side for photos)

SPECIFICATIONS

Specifications subject to change through product improvement & innovation.

CARTER-HOFFMANN

1551 McCormick Ave., Mundelein, IL 60060
(847) 362-5500 • (800) 323-9793 • Fax (847) 367-8981
www.carter-hoffmann.com

Suburban Bowery



Printed in U.S.A. B60 0313
Carter-Hoffmann is a trademark of Carter-Hoffmann LLC.

FEATURES & BENEFITS

1551 McCormick Avenue, Mundelein, Illinois 60060
 Tel. (847)362-5500 • (800)323-9793 • Fax (847)367-8981
www.carter-hoffmann.com



BB96ES ENERGY SAVER BANQUET CARTER

Since 1947, Foodservice Equipment That Delivers!

DOUBLE WALL STAINLESS STEEL CABINET...

Strongest, most durable materials for long life. High density 2" thick fiberglass in walls and door, 2" thick on top and bottom for maximum heat retention.

WRAP-AROUND BUMPER...

Full perimeter aluminum bumper with non-marking gray vinyl insert. Protects cart and facility walls from damage.



BB96ES

COMPLETELY WELDED TURNED-IN SEAM CONSTRUCTION...

Adds rigidity to entire cabinet and eliminates raw edges for ease of cleaning and safety.

HEAVY-DUTY STAINLESS STEEL BASE FRAME...

12 gauge caster bolsters with perimeter frame for rugged use and added durability.

REMOVABLE WIRE SHELVES...

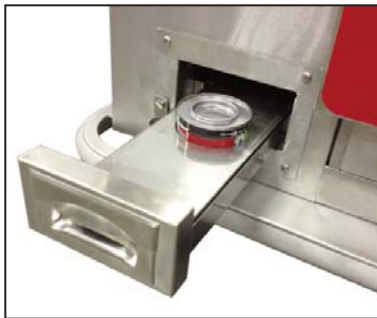
Welded, duplex nickel-plated with reinforced shelf clips. Sturdy for heavy plate loads and removable for cleaning.

6" DIAMETER INDUSTRIAL GRADE CASTERS WITH POLYURETHANE TREAD...

Long lasting and easy rolling for maximum load and minimum maintenance. Two swivel and two rigid. Swivel casters fitted with brakes. Mounted to base in offset wheel-ahead pattern for easy rolling over uneven surfaces.

HIGH PERFORMANCE REMOVABLE HEATER...

Blower system for fast heat up, recovery and even heat distribution throughout cabinet. Removable without tools for easy service and cabinet cleaning.



CANNED FUEL DRAWERS... Canned fuel capability when no electric is available. Drawers are accessible from the outside and can be filled without opening the door to minimize heat loss. Four wells keep fuel cans securely in place so they won't roll around the bottom of the cabinet. Shields over drawers direct heat up the back wall of the cabinet to keep bottom shelf from getting too warm.



"C" carrier for covered plates

OPTIONAL PLATE CARRIERS... "P" or "C" carriers are available. "P" type holds 8-3/4" to 10-1/2" diameter open plates while "C" type holds up to 10-1/2" diameter covered plates. Specify type, if any, when ordering. Carriers will hold plates 4-high (8C or 8P) in carts with 13" shelf spacing. See table on front page for types and quantities that will fit in the cart.



"P" carrier for open plates

