

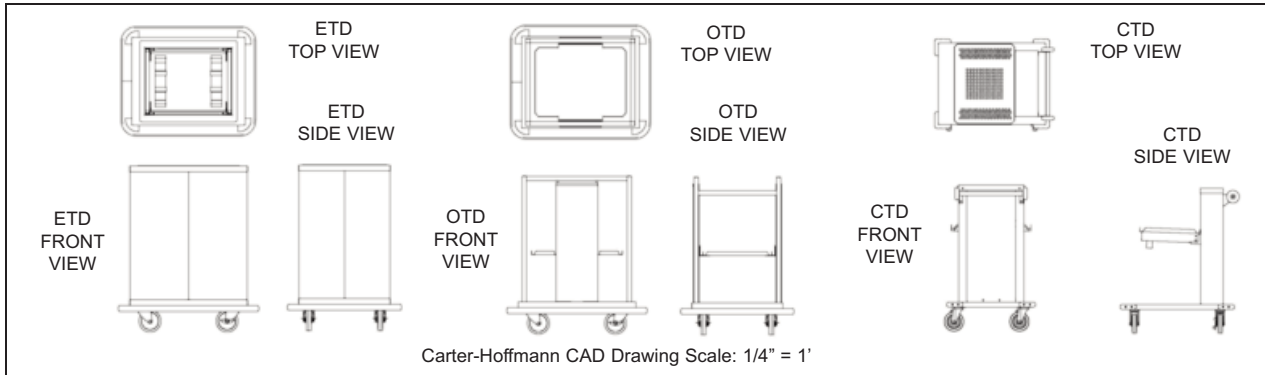


TRAY DISPENSERS

Mobile Dispenser Carts

Enclosed, Open and Cantilever Styles

CARTER-HOFFMANN
11
 FOOD SERVICE EQUIPMENT
 TRAY DISPENSERS



Model Number	Tray Size		Description	Overall Dimensions			Caster Diameter		Shipping Weight		
	in	mm		Height in mm	Depth in mm	Width in mm	in	mm	lbs	kg	
<input type="checkbox"/> ETD1418	14 x 18	356 x 457	Enclosed single stack	38	965	26 ¹ / ₈ 664	32 ¹ / ₈ 816	5	127	150	68
<input type="checkbox"/> ETD1520	15 x 20	381 x 508	Enclosed single stack	38	965	26 ¹ / ₈ 664	32 ¹ / ₈ 816	5	127	150	68
<input type="checkbox"/> ETD1622	16 x 22	406 x 559	Enclosed single stack	38	965	26 ¹ / ₈ 664	32 ¹ / ₈ 816	5	127	150	68
<input type="checkbox"/> ETD2S1418	14 x 18	356 x 457	Enclosed double stack	38	965	46 ¹ / ₈ 1172	32 ¹ / ₈ 816	5	127	300	136
<input type="checkbox"/> ETD2S1520	15 x 20	381 x 508	Enclosed double stack	38	965	46 ¹ / ₈ 1172	32 ¹ / ₈ 816	5	127	300	136
<input type="checkbox"/> ETD2S1622	16 x 22	406 x 559	Enclosed double stack	38	965	46 ¹ / ₈ 1172	32 ¹ / ₈ 816	5	127	300	136
<input type="checkbox"/> OTD1418	14 x 18	356 x 457	Open single stack	36	914	26 ¹ / ₈ 664	32 ¹ / ₈ 816	5	127	140	64
<input type="checkbox"/> OTD1520	15 x 20	381 x 508	Open single stack	36	914	26 ¹ / ₈ 664	32 ¹ / ₈ 816	5	127	140	64
<input type="checkbox"/> OTD1622	16 x 22	406 x 559	Open single stack	36	914	26 ¹ / ₈ 664	32 ¹ / ₈ 816	5	127	140	64
<input type="checkbox"/> OTD2S1418	14 x 18	356 x 457	Open double stack	36	914	48 ¹ / ₈ 1222	32 ¹ / ₈ 816	5	127	150	68
<input type="checkbox"/> OTD2S1520	15 x 20	381 x 508	Open double stack	36	914	48 ¹ / ₈ 1222	32 ¹ / ₈ 816	5	127	150	68
<input type="checkbox"/> OTD2S1622	16 x 22	406 x 559	Open double stack	36	914	48 ¹ / ₈ 1222	32 ¹ / ₈ 816	5	127	150	68
<input type="checkbox"/> CTD1222	12 x 22	305 x 559	Cantilever single stack	37 ⁵ / ₈	956	23 584	29 ³ / ₄ 756	5	127	150	68
<input type="checkbox"/> CTD1321	13 x 21	330 x 533	Cantilever single stack	37 ⁵ / ₈	956	23 584	29 ³ / ₄ 756	5	127	150	68
<input type="checkbox"/> CTD1418	14 x 18	356 x 457	Cantilever single stack	37 ⁵ / ₈	956	23 584	29 ³ / ₄ 756	5	127	150	68
<input type="checkbox"/> CTD1520	15 x 20	381 x 508	Cantilever single stack	37 ⁵ / ₈	956	23 584	29 ³ / ₄ 756	5	127	150	68
<input type="checkbox"/> CTD1622	16 x 22	406 x 559	Cantilever single stack	37 ⁵ / ₈	956	23 584	29 ³ / ₄ 756	5	127	150	68
<input type="checkbox"/> CTD RS	13.5 x 23	343 x 584	Cantilever single stack	37 ⁵ / ₈	956	23 584	29 ³ / ₄ 756	5	127	150	68

CONSTRUCTION: ENCLOSED DISPENSERS... Completely welded cabinet construction with outer cabinet formed and welded to base. Built-in stainless tray platform. All stainless steel construction with polished exterior.

CONSTRUCTION: CANTILEVER DISPENSERS... All stainless steel with stainless steel lowerator housing, bottom and tray platform.

CONSTRUCTION: OPEN DISPENSERS... High strength stainless steel tubular frame with solid stainless steel bottom and tray platform.

BASE FRAME... 12 gauge stainless steel full depth caster bolsters with 1" x 1" 14 gauge stainless steel channels welded to bolsters.

CASTERS... 5" diameter, all swivel ball bearing type casters, plate mounted and bolted to frame. Two casters fitted with brakes. Wheel-ahead caster pattern.

BUMPER... ETD & OTD: Full perimeter bumper with non-marking red vinyl bumper insert set in heavy-duty, 3/16" thick extruded aluminum frame with reinforced corner cutouts. CTD: Soft durometer cushioned corner bumpers.

STYLING... All stainless steel with red custom colored matching casters and bumper vinyl.

DISPENSER PLATFORM... Field adjustable springs to accommodate differences in tray weights and heights. Number of connected springs can be increased or decreased to change the platform tension release tension in 2.5 oz/in. Disconnected springs remain in place and out of the way. All stainless steel platform.

SPECIFICATIONS

Specifications subject to change through product improvement & innovation.



CARTER-HOFFMANN
 1551 McCormick Ave., Mundelein, IL 60060
 (847) 362-5500 • (800) 323-9793 • Fax (847) 367-8981
www.carter-hoffmann.com

Suburban Bowery

Printed in U.S.A. ETDOTDCTD 1213
 Carter-Hoffmann is a trademark
 of Carter-Hoffmann, LLC

FEATURES & BENEFITS

TRAY DISPENSERS

Since 1947, foodservice equipment that delivers!



ETD1520

ETD: COMPLETELY WELDED TURNED-IN SEAM CONSTRUCTION... All stainless steel construction. Adds rigidity to entire cabinet for maximum durability and reliable performance, and eliminates raw edges for easy cleaning and safety. Sleek exterior styling is easy to clean.



OTD1520

OTD: ALL STAINLESS STEEL TUBULAR FRAME... Heavy-duty stainless steel frame with stainless steel bottom and tray platform.

ETD & OTD BUMPER: Full perimeter, non-marking red vinyl bumper set in heavy-duty 3/16" thick extruded aluminum frame. Protects doorways, walls and cart from damage.



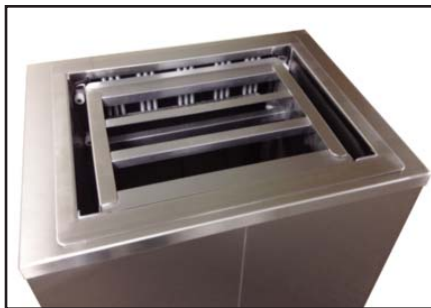
CTD1520

CTD: ALL STAINLESS STEEL... Heavy-duty stainless steel lowerator housing with stainless steel bottom and tray platform.

CTD BUMPER: Soft durometer cushioned corner bumpers protect cart and facility walls.

RUBBER TREAD CASTERS WITH SEALED ROLLER BEARING...

Long lasting, easy rolling for maximum load and minimum maintenance. All swivel casters fitted with brakes.



ADJUSTABLE TRAY PLATFORM...Field adjustable springs to accommodate differences in tray weights and heights. Number of connected springs can be increased or decreased to change the platform tension.



1551 McCormick Avenue, Mundelein, Illinois 60060
Tel. (847)362-5500 • (800)323-9793 • Fax (847)367-8981
www.carter-hoffmann.com

