



PERFORMANCE SERIES ENCLOSED MOBILE TRAY CARTS

Two Door for 14"x18", 15"x20", 16"x22", 12"x19", 12"x20",
12"x22", 13"x21" and Room Service Trays

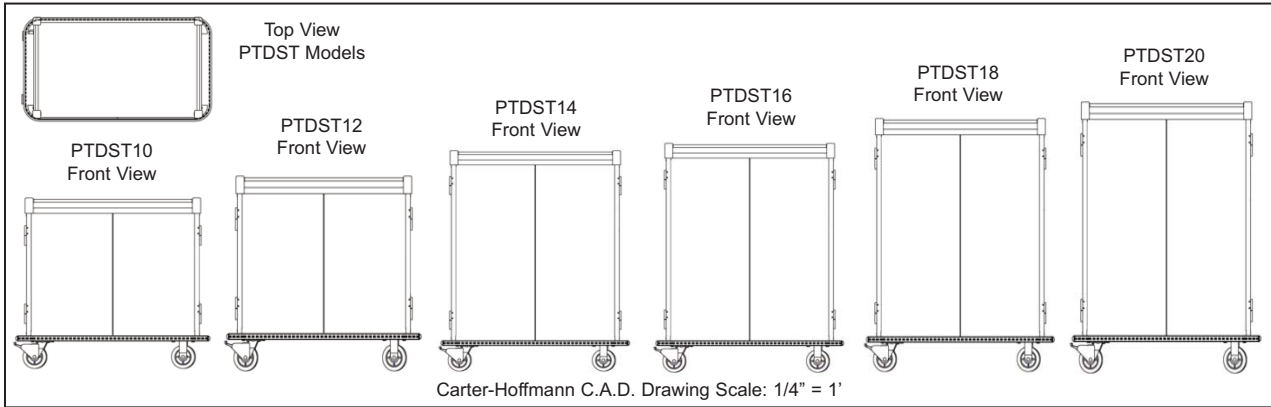
CARTER-HOFFMANN



FOOD SERVICE EQUIPMENT
ENCLOSED MOBILE TRAY CARTS

SPECIFICATIONS

Printed in U.S.A. PTDST 1213
Carter-Hoffmann is a trademark
of Carter-Hoffmann, LLC



Model Number	Tray Capacity 5.75" Standard Spacing 1 tray/slide; end-loaded	Inside Working Height		Overall Dimensions						Caster Diameter		Shipping Weight	
				Height		Depth		Width					
		in	mm	in	mm	in	mm	in	mm	in	mm	lbs	kgs
<input type="checkbox"/> PTDST10	10	29 ¹ / ₂	749	43 ¹ / ₂	1105	22	559	49 ³ / ₈	1254	6	152	341	155
<input type="checkbox"/> PTDST12	12	35 ¹ / ₄	895	49 ¹ / ₄	1251	22	559	49 ³ / ₈	1254	6	152	351	159
<input type="checkbox"/> PTDST14	14	41	1041	55	1397	22	559	49 ³ / ₈	1254	6	152	369	167
<input type="checkbox"/> PTDST16	16	46 ³ / ₄	1187	60 ³ / ₄	1543	22	559	49 ³ / ₈	1254	6	152	379	172
<input type="checkbox"/> PTDST18	18	52 ¹ / ₂	1334	66 ¹ / ₂	1689	22	559	49 ³ / ₈	1254	6	152	397	180
<input type="checkbox"/> PTDST20	20	58 ¹ / ₄	1462	72 ¹ / ₄	1835	22	559	49 ³ / ₈	1254	6	152	407	185

CONSTRUCTION... Completely welded cabinet construction. Ultra-quiet construction with sound-dampening features. Cabinet formed and welded to base. All seams turned in to eliminate raw edges. Two drain plug with tether.

VENTS... Vents on both ends to allow escape of excess heat and moisture.

TOP... Marine edge top to contain spills. Three-sided top rail with red corners.

CABINET MATERIAL... Nickel-bearing type 300 series stainless steel; 18 gauge polished exterior walls.

BASE FRAME... 12 gauge stainless steel full depth bolsters.

CASTERS... 6" Performa rubber casters with noise suppression bearing covers. Sealed roller bearing and double ball bearing swivel with cart wash resistant

Glacier FM grease. Plate mounted and bolted to base in offset wheel ahead pattern. Two swivel with brakes and two rigid.

BUMPER... Full perimeter, non-marking red vinyl bumper set in heavy-duty wrap-around 3/16" extruded aluminum frame with reinforced corner cut-outs.

DOORS... Double panel welded stainless steel doors. Two pin hinges bolted to cabinet; hinged on right. Cavity filled with 1" thick high density fiberglass insulation. Full length integrated door handle with magnetic closure and magnetic door-open feature. 270 degree door swing.

HINGES... 12 gauge all stainless steel hinges with 3/8" pin.

PUSH HANDLE... On shorter carts, the 3-sided top rail serves as the push

handle. On taller carts, a 1" diameter tubular stainless steel handle mounted is on the swivel end; extends the full depth of the cabinet.

TRAY RACK ASSEMBLIES... Ultra-quiet with adjustable pin positions; assemblies are removable without tools and constructed of 18 gauge stainless steel. Welded-on tray slides with fixed standard spacing on 5.75" centers.

ACCESSORIES/OPTIONS...

- Pass-through
- 4-sided top rail
- Alternate caster sizes and types
- 2 or 3 thermal airpots with rack
- Mini-Dome chillable condiment bin
- Condiment organizer
- Menu card holder (specify 8.5"x11" or 5"x7")
- Dry erase board
- Anti-slip mat for top of cart
- Remove top rail

Specifications subject to change through product improvement & innovation.

CARTER-HOFFMANN

1551 McCormick Ave., Mundelein, IL 60060
(847) 362-5500 • (800) 323-9793 • Fax (847) 367-8981
www.carter-hoffmann.com

Suburban Bowery



FEATURES & BENEFITS

1551 McCormick Avenue, Mundelein, Illinois 60060
Tel. (847)362-5500 • (800)323-9793 • Fax (847)367-8981
www.carter-hoffmann.com



PERFORMANCE SERIES ENCLOSED MOBILE TRAY CARTS

Since 1947, Foodservice Equipment That Delivers!

ULTRA-QUIET CONSTRUCTION... Sound-dampening features with corrosion-resistant 300 series stainless steel; easy to clean and structurally sound for long life.

DOUBLE PANEL DOORS... Insulated, flush mounted doors with fully-integrated door handle and stainless steel hinges. 270 degree door swing with magnetic closure and door-open feature.

VENTED END PANELS... Allow excess heat and moisture build-up to escape, while maintaining highest food quality.

STAINLESS STEEL HINGES... Heavy-duty, 12 gauge hinges with 3/8" diameter pin for trouble-free door operation. 270 degree door swing.



ULTRA-QUIET RACKS... with adjustable pin positions to accommodate a variety of tray sizes. Tray spacing fixed on standard 5.75" centers.



PERFORMA CASTERS WITH NOISE SUPPRESSION BEARING COVERS... 6" diameter industrial grade casters with non-marking red rubber cushioned tread. Rust resistant Delrin bearings with cart wash resistant Glacier FM grease. Long lasting and easy rolling, yet durable enough to withstand rigorous cart wash programs. Two fixed and two swivel casters for easy maneuvering.



WHEEL-AHEAD CASTER CONFIGURATION... Mounted to base in offset wheel-ahead pattern for easy rolling over uneven surfaces. Allow for easy handling and steering.

FULL PERIMETER BUMPER... Non-marking bumper set in heavy-duty 3/15" extruded aluminum frame. Floating style, bolted to the base. Protects cart and contents from impacts; protects doorways and walls from damage.

